

# EASYTOWEB™ WEBSERVER-PROJECT

NEW

## EASYTOWEB™ ATMEGA 32

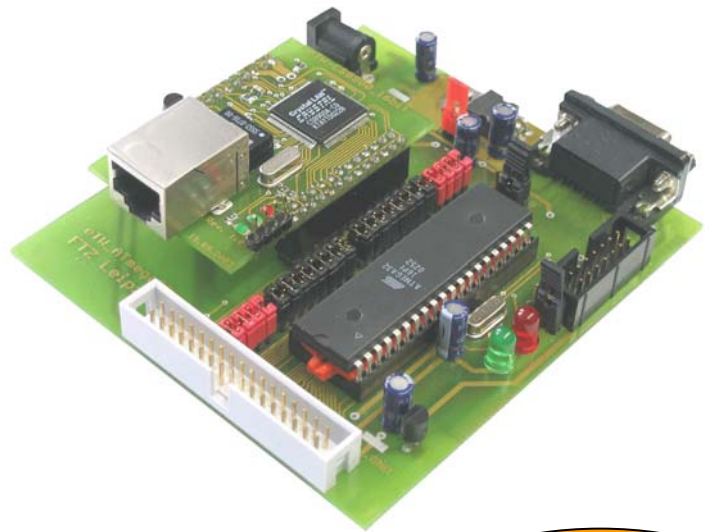
The eTW-ATmega32 Webserver - a solution with ATmega32™ and eTW-CS8900-16bit Modul.

### Features

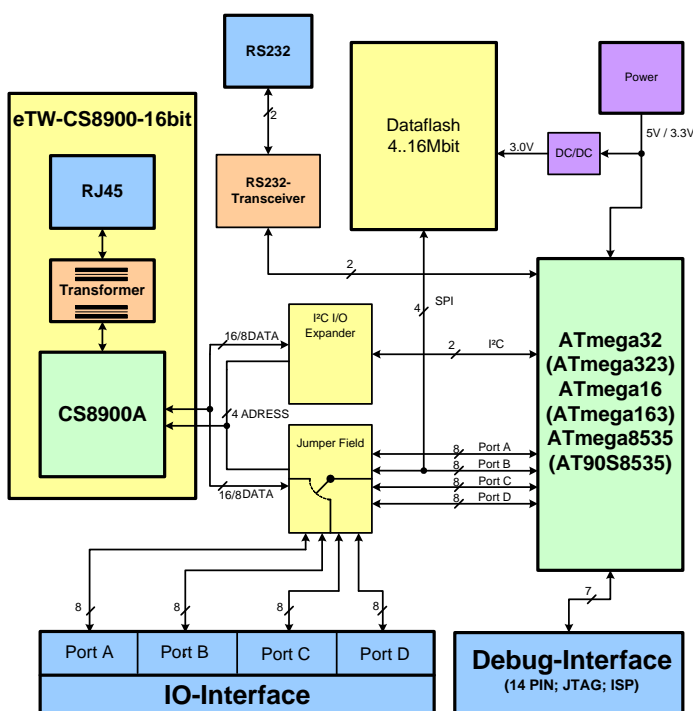
- ATmega32™ Microcontroller (Zero-Insertion-Force Socket; 40 Pin)
- 32 kByte Code-Memory
- 2 kByte SRAM
- eTW-CS8900-16bit Modul (Ethernetcontroller)
- 4 Mbit Dataflash
- 5 V / 3.3 V power supply
- 2 LEDs for status information

### Software and Protocols

- easyToWeb-Software - based on the extra booklet "Embedded Internet" from Design & Elektronik,
- Project with the CodeVisionAVR C-Compiler,
- Supported protocols (PPP, ARP, ICMP, UDP, BootP, TCP/IP, HTTP, FTP and IPSec),
- **The C-sources of easyToWeb-Software are freely available** (<http://www.easyToWeb.net>).



from 199 €  
+ VAT + Shipping



### Configuration

#### eTW-ATmega32 Starter Kit

- Circuit board tested and programmed
- eTW-CS8900-16bit Modul
- easyToWeb-Software (**freely available C-sources**)
- Guide for line-up & first steps
- AVR-Prog14 (ISP - Programmer)
- AC Adapter (9V; 300mA)

### Specification

- Size 102 x 98 mm<sup>2</sup>
- Power: 5 V DC (about 85 mA); 3.3 V DC (about 70 mA)
- Debug-Interface: AVR-Prog14
- IO-interface: 32 pins available